




Vert-X 88 - 24V / CANopen, redundant

Applications

- Agricultural machines
- Construction machines
- Forest machines
- Special purpose vehicles

Features

- CiA approved 
- Very robust design
- Contactless measuring method
- Long life
- High accuracy of measurement
- Applications under adverse ambient conditions possible (humidity, dampness, dust, vibrations etc.)

Sensor principle		MH-C2
Electrical data		
Measuring range	°	0 ... 360
Indep. linearity	% of meas. range	±0.1
Max. hysteresis	°	0.1
Resolution	bit	16
Max. repeatability	°	0.1
Sample rate	kHz	0.5
Max. temperature coefficient of the output signal	ppm/°K	25
MTTFd / MTBF	years	135 / 135
Power supply voltage	VDC	8 ... 35
Current consumption without bus load (typ.), per channel	mA	30
Reverse polarity protection of power supply		yes
Electrical connection (s = shielded)		Round cable, s
Cross section of single wires	mm ²	0.56 (AWG20)
Bus interface		ISO/DIS 11898-2
CANopen communication according to CiA		Standard DS-301 Rev. 4.02
Device profile		DS-406, Rev. 3.1, Encoder class C2
Default Node-ID's		16 & 17 (programmable 1 ... 127)
Default bitrate	kBit/s	125
Mechanical data		
Mechanical range	°	360 (continuous)
Protection class		IP68 & IP69K
Max. starting torque at specified protection class	Ncm	0.5 / 6
Max. rotating speed	rpm	3000
Min. life	movements	360 Mio.
Max. permitted axial shaft load	N	300
Max. permitted radial shaft load	N	400
Operating & storage temperature	°C	-40 ... +85
IEC 68-2-6 Vibration (Amax = 0.75mm, f = 5 ... 2000 Hz)	g	20
IEC 68-2-27 Shock	g	50
Standards		
EN 55022 classe B, Emission radiated (30...230 MHz)	dB(µV/m)	max. 30
EN 55022 classe B, Emission radiated (230...1000MHz)	dB(µV/m)	max. 37
EN 61000-4-2, ESD (contact discharge / air discharge)	kV	±4 / ±8
EN 61000-4-3, Immission HF radiated (80...1000 MHz)	V/m	30
EN 61000-4-3, Immission HF radiated (1.4...2 GHz)	V/m	3
EN 61000-4-3, Immission HF radiated (2...2.7 GHz)	V/m	1
EN 61000-4-4, Burst (on all lines)	kV	±1
EN 61000-4-5, Surge (lines to ground)	kV	±1
EN 61000-4-6, Immission HF conducted (0.15...80MHz)	Vemk	10
EN 61000-4-8, Immission magnetic field (50Hz)	A/m	300
IEC 60393-1 Insulation resistance (500VDC, 1bar, 2s)	GOhm	20
IEC 60393-1 Dielectric strength (VAC, 50Hz, 1min, 1bar)	kV	1
CANopen conformance certified by CiA	Certificate-#:	CiA201003-301V402/20-0116

Errors and omissions excepted. Subject to change without notice. / State: 22.09.14

Contelec AG
 Portstrasse 38
 CH-2503 Biel/Bienne
 Phone +41 (0)32 3665600
 Telefax +41 (0)32 3665604
 sales@contelec.ch

CONTELEC
 A company of the Siedle-Group



Vert-X 88 - 24V / CANopen, redundant

Ordering code

		CAN characteristics				Electrical connection							
Redundant 1-Bus / CAN-High-In; CAN-High-Out; CAN-Low-In; CAN-Low-Out		Optional	A	6	Optional	Round cable 6pole							
Redundant 1-Bus / CAN-High; CAN-Low; R _{CAN}		Optional	B	8	Standard	Round cable 4pole							
Redundant 1-Bus / CAN-High; CAN-Low Special version		Standard	C	9	Optional	Special cable							
		Output signal				Length of cable							
CANopen Encoder Profile 406 (C2)		Standard	3	02	Standard	1.0m							
		Power supply voltage				06	Optional						
24VDC		Standard	1	10	Optional	3.0m							
						99	Optional						
						Special length							
Vert-X	8	8	7	2	8	3	6	1	3	C	8	0	2
		Electrical angle											
		36		Standard		Electrical angle 360°							
		Sensor principle											
		8		MH-C2									
		Mechanical version											
8872	Standard	Housing ø88mm with flange ; 10mm shaft with hexagon socket ; IP68 & IP69K											
8873	Standard	Housing ø88mm with flange ; 12mm shaft D-shape & cross-hole ; IP68 & IP69K											
8899	Optional	Special housing ; Special shaft											

	MH-C2
Custom shaft design	X
Custom modification of the housing	X
Custom cable	X
CAN integrated bus termination resistor (120Ω) / R _{CAN}	X
Custom bitrate (10 ; 20 ; 50 ; 100 ; 250 ; 500 ; 800 ; 1000 kBit/s)	X

Options (on request)

Errors and omissions excepted. Subject to change without notice. / State: 22.09.14

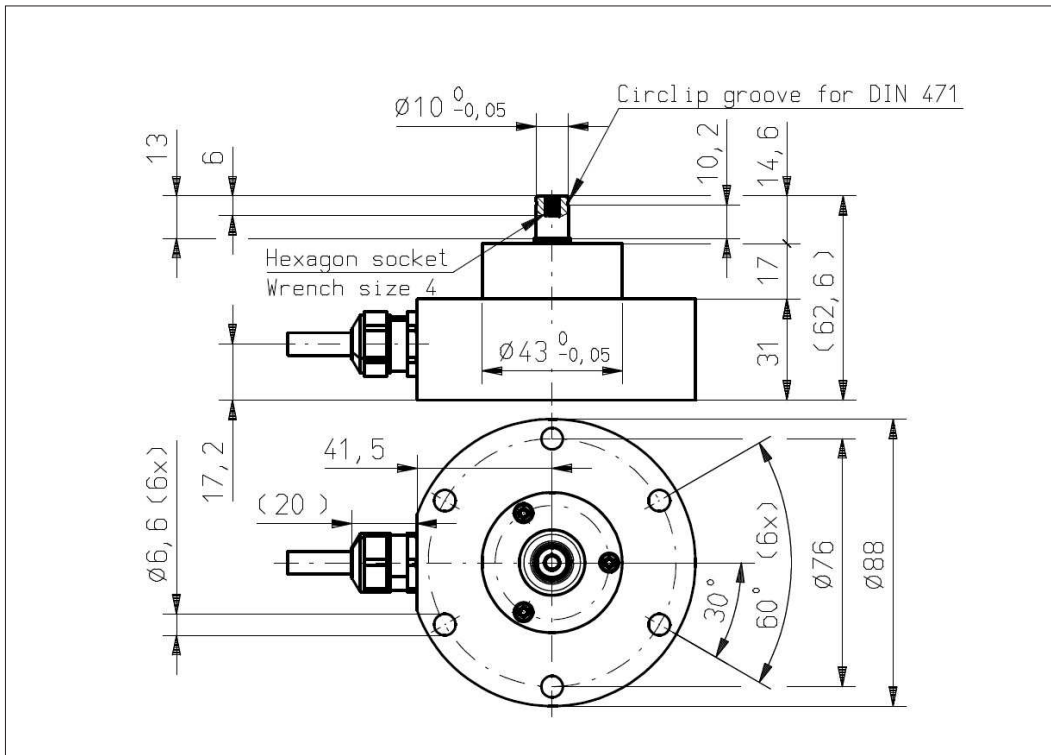
Contelec AG
 Portstrasse 38
 CH-2503 Biel/Bienne
 Phone +41 (0)32 3665600
 Telefax +41 (0)32 3665604
 sales@contelec.ch



Vert-X 8872

Accessoires (incl.)

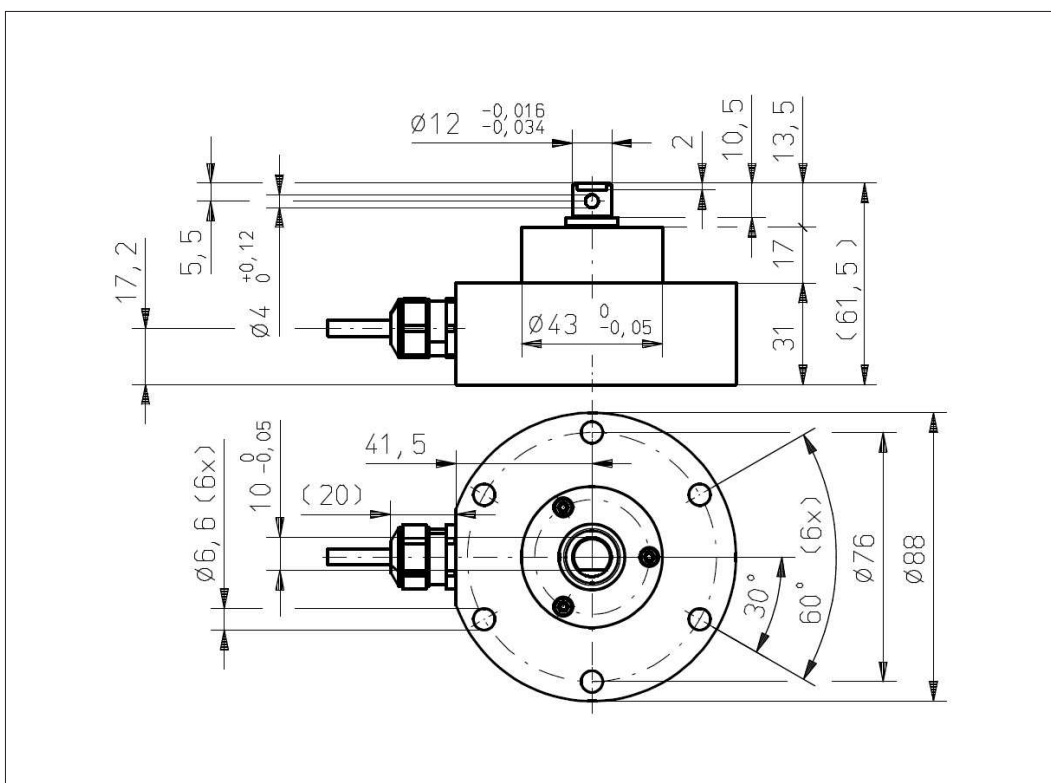
- 3x Hexagon screw M6x45
- 3x Washer
- 1x Circlip



Vert-X 8873

Accessoires (incl.)

- 3x Hexagon screw M6x45
- 3x Washer



Errors and omissions excepted. Subject to change without notice. / State: 22.09.14

Contelec AG
 Portstrasse 38
 CH-2503 Biel/Bienne
 Phone +41 (0)32 3665600
 Telefax +41 (0)32 3665604
 sales@contelec.ch

CONTELEC
 A company of the Siedle-Group



Vert-X 88 - 24V / CANopen,
Certificates



Certificate # **CI A201003-301V402/20-0116**

Vendor ID **00 00 00 80**

Manufacturer **Contelec AG**

Device **Vert-X MH-C2 CAN**

Product code: 0001 8774h
Object 1018h/02h

Revision number: C000 C0A1h
Object 1018h/03h

Hardware version: HV30781B
Object 1009h

Software version: SV_1.2.3
Object 100Ah

EDS **MH-C2_CAN.eds**

File version: 1

File revision: 0

EDS version: 4.02

Nuremberg, 26.03.2010

CAN in Automation GmbH


R. Zimmermann
Technical Manager

CAN in Automation GmbH
Kontumazgarten 3
90429 Nuremberg
Germany
phone: +49-911-928819-0
fax: +49-911-928819-79



Errors and omissions excepted. Subject to
change without notice. / State: 22.09.14

Contelec AG
Portstrasse 38
CH-2503 Biel/Bienne
Phone +41 (0)32 3665600
Telefax +41 (0)32 3665604
sales@contelec.ch

CONTELEC
A company of the Siedle-Group